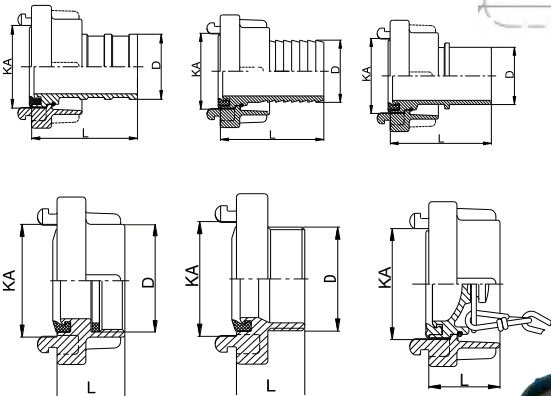
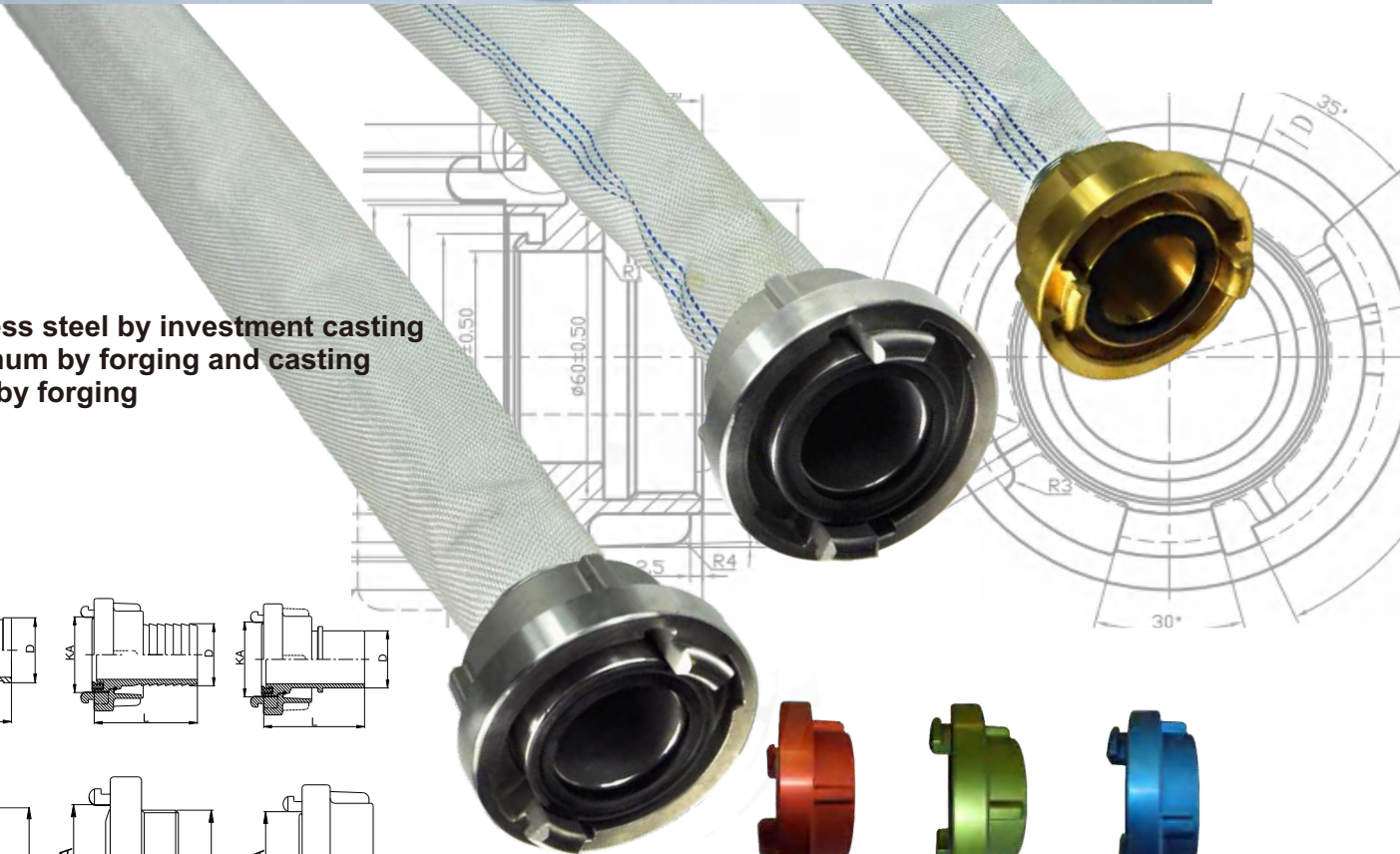


Couplings / Valves / Hoses / Special Equipment



- Material**
- 1. Stainless steel by investment casting
 - 2. Aluminum by forging and casting
 - 3. Brass by forging



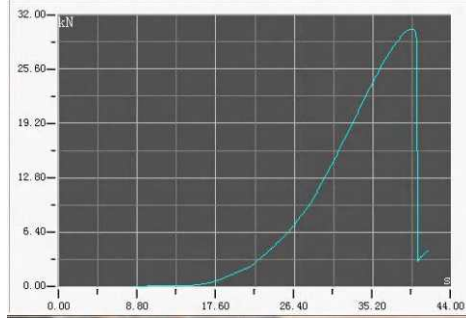
Anodizing ALU Storz,

Various colors can be customized

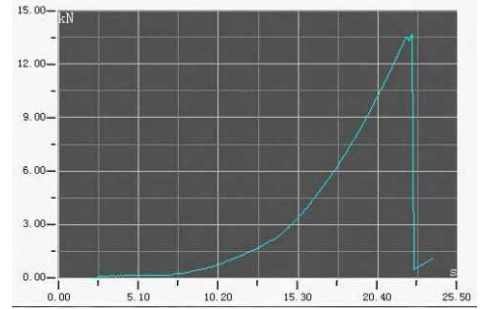


Tensile strenght testing

forging couplings



cast couplings



Compression Testing



No crack on forging surface when compressed by testing machine



casting



forging

*Comparison chart for Foring storzs and Die casting storzs



forging couplings



cast couplings

Water pressure testing

Craft	Pressure	Time	Result
forging	8MPA	10min	NO Leakage
casting	3MPA	10min	NO Leakage



Ten forging production line

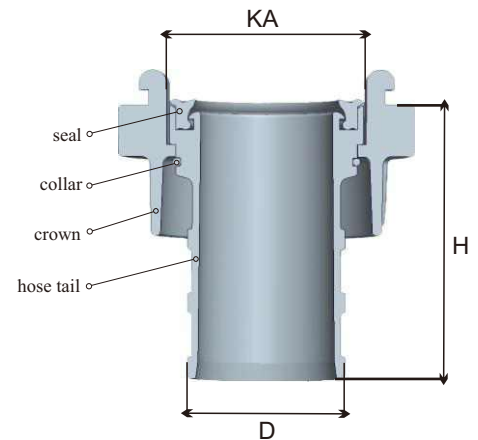


Storz couplings
Suction hose couplings

Standard
Materials
Seal

EN/DIN
Stainless 1.4581
Viton

Name	KA/mm	Code	Weight	D	H	Material
SZT25/20	31	B0803072	0.25	20	53	SS
SZT25/25	31	B0803074	0.26	24.5	53	SS
SZT32/25	44	B0803078	0.40	24.5	70	SS
SZT32/32	44	B0803079	0.43	32	90	SS
SZT38/32	51	B0803081	0.56	32	90	SS
SZT38/38	51	B0803080	0.59	38	90	SS
SZT52/25	66	B0803084	0.98	24.5	90	SS
SZT52/32	66	B0803086	0.98	32	90	SS
SZT52/38	66	B0803088	0.98	38	90	SS
SZT52/45	66	B0803090	1.05	45	90	SS
SZT52/50	66	B0803092	1.06	50	90	SS
SZT52/52	66	B0803006	0.95	52	90	SS
SZT52/60	66	B0803095	1.15	60	90	SS
SZT52/64	66	B0803097	1.20	64	90	SS
SZT65/38	81	B0803098	1.34	38	90	SS
SZT65/52	81	B0803100	1.44	52	95	SS
SZT65/63	81	B0803102	1.40	63	95	SS
SZT65/65	81	B0803008	1.35	65	95	SS
SZT65/75	81	B0803105	1.46	75	125	SS
SZT75/52	89	B0803115	1.75	52	125	SS
SZT75/63	89	B0803117	1.80	63	125	SS
SZT75/65	89	B0803119	1.85	65	125	SS
SZT75/75	89	B0803010	1.95	75	125	SS
SZT90/90	105	B0803108	3.10	90	160	SS
SZT100/100	115	B0803110	3.78	100	150	SS
SZT110/100	133	B0803112	4.68	100	170	SS
SZT110/110	133	B0803012	4.25	110	170	SS
SZT150/150	160	B0803149	8.43	150	180	SS

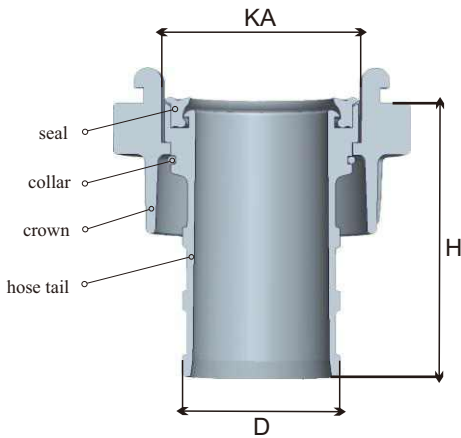


Storz couplings

Standard
Materials
Seal

Suction hose couplings

EN/DIN
Brass
NBR black or white



Name	KA/mm	Code	Weight	D	H	Material
SZT25/20	31	B0803073	0.26	20	53	BR
SZT25/25	31	B0803075	0.26	24.5	53	BR
SZT32/25	44	B0803076	0.42	24.5	70	BR
SZT32/32	44	B0803077	0.42	32	90	BR
SZT38/32	51	B0803083	0.58	32	90	BR
SZT38/38	51	B0803082	0.59	38	90	BR
SZT52/25	66	B0803085	1.01	24.5	90	BR
SZT52/32	66	B0803087	1.04	32	90	BR
SZT52/38	66	B0803089	1.01	38	90	BR
SZT52/45	66	B0803091	1.14	45	90	BR
SZT52/50	66	B0803093	1.15	50	90	BR
SZT52/52	66	B0803094	1.15	52	90	BR
SZT52/60	66	B0803096	1.26	60	90	BR
SZT52/64	66	B0803062	1.30	64	90	BR
SZT65/38	81	B0803099	1.41	38	90	BR
SZT65/52	81	B0803101	1.45	52	95	BR
SZT65/63	81	B0803103	1.45	63	95	BR
SZT65/65	81	B0803104	1.50	65	95	BR
SZT65/75	81	B0803106	1.55	75	125	BR
SZT75/52	89	B0803116	1.90	52	125	BR
SZT75/63	89	B0803118	2.00	63	125	BR
SZT75/65	89	B0803120	1.90	65	125	BR
SZT75/75	89	B0803107	2.08	75	125	BR
SZT90/90	105	B0803109	3.30	90	160	BR
SZT100/100	115	B0803111	3.25	100	150	BR
SZT110/100	133	B0803113	4.88	100	170	BR
SZT110/110	133	B0803114	4.88	110	170	BR
SZT150/150	160	B0803150	9.05	150	180	BR

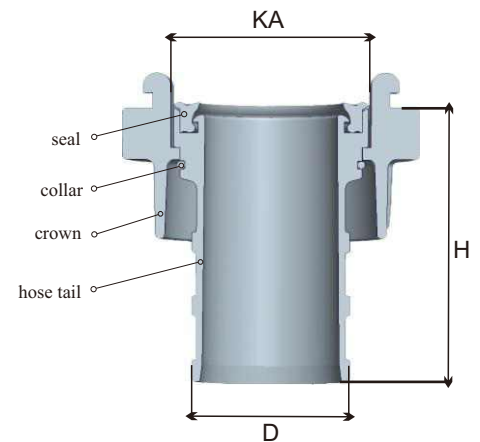


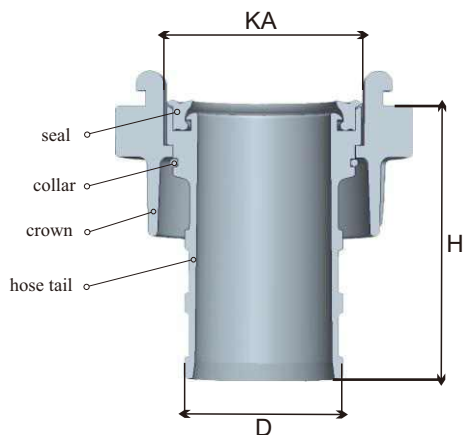
Storz couplings
Suction hose couplings

Standard
Materials
Seal

EN/DIN
Aluminum
NBR black or white

Name	KA/mm	Code	Weight	D	H	Material
SZT25/20	31	B0803046	0.09	20	53	AL-forging
SZT25/25	31	B0803001	0.09	24.5	53	AL-forging
SZT32/25	44	B0803055	0.14	24.5	70	AL-forging
SZT32/32	44	B0803056	0.19	32	90	AL-forging
SZT38/32	51	B0803048	0.21	32	90	AL-forging
SZT38/38	51	B0803047	0.22	38	90	AL-forging
SZT45/42	59	B0803390	0.32	42	90	AL-forging
SZT45/45	59	B0803239	0.31	45	90	AL-forging
SZT52/25	66	B0803039	0.37	24.5	90	AL-forging
SZT52/32	66	B0803026	0.37	32	90	AL-forging
SZT52/38	66	B0803027	0.37	38	90	AL-forging
SZT52/45	66	B0803038	0.37	45	90	AL-forging
SZT52/50	66	B0803059	0.37	50	90	AL-forging
SZT52/60	66	B0803057	0.40	60	90	AL-forging
SZT52/64	66	B0803061	0.41	64	90	AL-forging
SZT65/38	81	B0803063	0.46	38	90	AL-forging
SZT65/52	81	B0803051	0.50	52	95	AL-forging
SZT65/63	81	B0803052	0.49	63	95	AL-forging
SZT65/65	81	B0803053	1.45	65	95	AL-forging
SZT65/75	81	B0803054	0.53	75	125	AL-forging
SZT75/52	89	B0803043	0.66	52	125	AL-forging
SZT75/63	89	B0803042	0.68	63	125	AL-forging
SZT75/65	89	B0803064	0.68	65	125	AL-forging
SZT75/75	89	B0803009	0.71	75	125	AL-forging
SZT90/90	105	B0803058	1.09	90	160	AL-forging
SZT100/100	115	B0803049	1.15	100	150	AL-forging
SZT110/100	133	B0803045	1.77	100	170	AL-forging
SZT110/110	133	B0803011	1.66	110	170	AL-forging
SZT110/125	133	B0803184	1.88	125	180	AL-forging
SZT150/150	160	B0803212	2.90	150	180	AL-forging





Storz couplings

Standard
Materials
Seal

Suction hose couplings

EN/DIN
Aluminum
NBR black or white

Name	KA/mm	Code	Weight	D	H	Material
SZT25/25	31	B0803174	0.09	24.5	53	AL-casting
SZT52/25	66	B0803175	0.37	24.5	90	AL-casting
SZT52/32	66	B0803176	0.37	32	90	AL-casting
SZT52/38	66	B0803177	0.37	38	90	AL-casting
SZT52/42	66	B0803400	0.37	42	90	AL-casting
SZT52/45	66	B0803178	0.37	45	90	AL-casting
SZT65/52	81	B0803241	0.50	52	95	AL-casting
SZT65/65	81	B0803242	0.48	65	95	AL-casting
SZT65/75	81	B0803243	0.53	75	125	AL-casting
SZT75/65	89	B0803162	0.68	65	125	AL-casting
SZT75/70	89	B0803405	0.68	70	125	AL-casting
SZT75/75	89	B0803171	1.09	75	125	AL-casting
SZT110/90	133	B0803407	1.77	90	170	AL-casting
SZT110/100	133	B0803269	1.77	100	170	AL-casting
SZT110/110	133	B0803270	1.66	110	170	AL-casting



Storz couplings

Standard
Materials
Seal

Delivery hose couplings

EN/DIN
Aluminum
NBR black or white



Name	KA/mm	Code	D	Material
KA66-42	66	B0803197	42	AL-casting
KA66-52	66	B0803161	52	AL-casting
KA89-75	89	B0803172	75	AL-casting

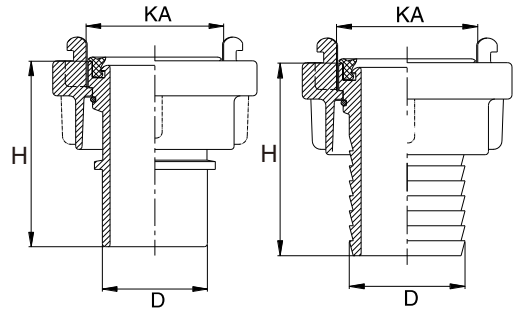
Storz couplings

Suction hose couplings

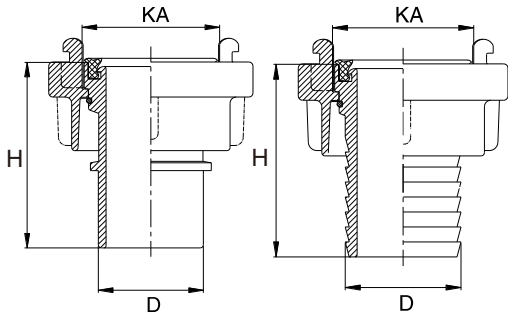
Standard
Materials
Seal

EN/DIN
Brass / Stainless 1.4581
NBR black or white/ Viton

Name	KA/mm	Code	D	H	Material
SZST25	31	B0803121	21	50	SS-serrated
SZST52	66	B0803123	51	90	SS-serrated
SZST75	89	B0803125	76	125	SS-serrated
SZST102	133	B0803127	102	170	SS-serrated
SZST110	133	B0803129	110	170	SS-serrated
SZST150	160	B0803131	150	180	SS-serrated
SZDT25	31	B0803133	25.4	69	SS-smooth
SZDT52/25	66	B0803135	25.4	90	SS-smooth
SZDT52/38	66	B0803137	38.4	90	SS-smooth
SZDT52/50	66	B0803139	50.4	90	SS-smooth
SZDT75/63	89	B0803141	63.4	125	SS-smooth
SZDT75	89	B0803143	75.4	125	SS-smooth
SZDT110/100	133	B0803145	100.3	170	SS-smooth
SZDT150	160	B0803147	150	180	SS-smooth
SZST25	31	B0803122	21	50	BR-serrated
SZST52	66	B0803124	51	90	BR-serrated
SZST75	89	B0803126	76	125	BR-serrated
SZST102	133	B0803128	102	170	BR-serrated
SZST110	133	B0803130	110	170	BR-serrated
SZST150	160	B0803132	150	180	BR-serrated
SZDT25	31	B0803134	25.4	69	BR-smooth
SZDT52/25	66	B0803136	25.4	90	BR-smooth
SZDT52/38	66	B0803138	38.4	90	BR-smooth
SZDT52/50	66	B0803140	50.4	90	BR-smooth
SZDT75/63	89	B0803142	63.4	125	BR-smooth
SZDT75	89	B0803144	75.4	125	BR-smooth
SZDT110/100	133	B0803146	100.3	170	BR-smooth
SZDT150	160	B0803148	150	180	BR-smooth



EN14420-3



Storz couplings

Standard
Materials
Seal

Suction hose couplings

EN/DIN
Aluminum
NBR black or white

Name	KA/mm	Code	Weight	D	H	Material
SZST25	31	B0803060	0.10	21	50	AL-serrated forging
SZST52	66	B0803065	0.37	51	90	AL-serrated forging
SZST75	89	B0803066	0.88	76	125	AL-serrated forging
SZST102	133	B0803067	1.80	102	170	AL-serrated forging
SZST110	133	B0803068	1.70	110	170	AL-serrated forging
SZST150	160	B0803069		150	180	AL-serrated forging
SZDT25	31	B0803036	0.12	25.4	69	AL-smooth forging
SZDT52/25	66	B0803037		25.4	90	AL-smooth forging
SZDT52/38	66	B0803030	0.40	38.4	90	AL-smooth forging
SZDT52/50	66	B0803031	0.41	50.4	90	AL-smooth forging
SZDT75/63	89	B0803041	0.72	63.4	125	AL-smooth forging
SZDT75	89	B0803040	0.71	75.4	125	AL-smooth forging
SZDT110/100	133	B0803044	1.68	100.3	170	AL-smooth forging
SZDT150	160	B0803070	3.61	150	180	AL-smooth forging

Storz couplings

Standard
Materials
Seal

Suction hose couplings

EN/DIN
Aluminum
NBR black or white

Name	KA/mm	Code	D	H	Material
SZST52/50	66	B0803465	50.4	95	AL-smooth casting
SZST75/64	89	B0803467	64	112	AL-smooth casting
SZST75/76	89	B0803368	76.4	114	AL-smooth casting
SZDT52/50	66	B0803328	50.4	95	AL-smooth casting
SZDT75	89	B0803329	75.4	114	AL-smooth casting
SZDT75/76	89	B0803447	76.4	114	AL-smooth casting
SZDT110/110	133	B0803362	100.3	150	AL-smooth casting

Storz couplings

Standard
Materials
Seal

Storz hose couplings with lock

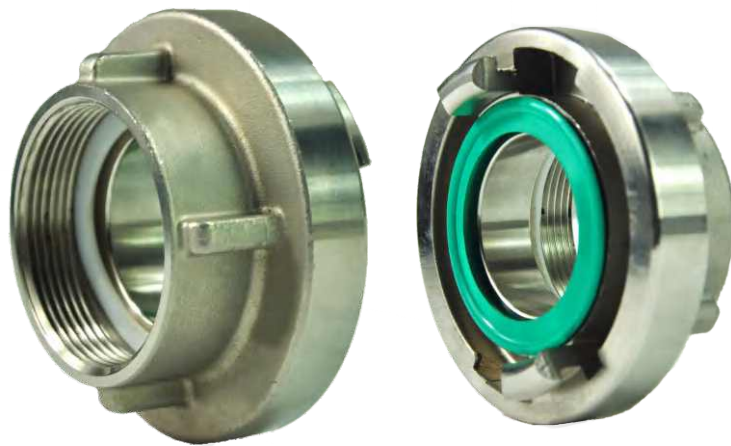
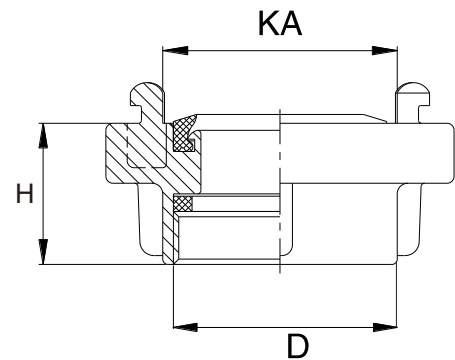
EN/DIN
Aluminum
NBR black or white

Name	KA/mm	Code	D	H	Material
KA115-100	115	B0803179	100	82	AL-forging
KA133-110	133	B0803188	110	87.5	AL-forging
KA133-114	133	B0803221	114	91	AL-forging
KA133-127	133	B0803222	127	106	AL-forging
KA148-125	148	B0803180	125	88.2	AL-forging
KA160-150	160	B0803181	150	105	AL-forging

Storz couplings	Storz female thread
-----------------	---------------------

Standard	EN/DIN
Materials	Stainless 1.4581
Seal	Viton

Name	KA/mm	Code	Weight	D	H	Material
SZF25/13	31	B0812040	0.21	G1/2"	30	SS
SZF25/20	31	B0812042	0.21	G3/4"	30	SS
SZF25	31	B0802002	0.21	G1"	30	SS
SZF32/25	44	B0812045	0.23	G1"	31	SS
SZF32	44	B0812047	0.41	G1 1/4"	31	SS
SZF38/25	51	B0812049	0.44	G1"	33	SS
SZF38/32	51	B0812051	0.49	G1 1/4"	33	SS
SZF38	51	B0812053	0.47	G1 1/2"	33	SS
SZF38/50	51	B0812055	0.52	G2"	37.5	SS
SZF45/50	59	B0812057	0.70	G2"	35	SS
SZF50/25	66	B0812059	0.81	G1"	35.5	SS
SZF50/32	66	B0812061	0.70	G1 1/4"	35.5	SS
SZF50/38	66	B0812063	0.66	G1 1/2"	35.5	SS
SZF50	66	B0802006	0.77	G2"	40	SS
SZF50/65	66	B0812065	0.81	G2 1/2"	40	SS
SZF65/25	81	B0812067	1.54	G1"	36	SS
SZF65/38	81	B0812069	1.31	G1 1/2"	36	SS
SZF65/50	81	B0812071	1.40	G2"	40.5	SS
SZF65	81	B0802008	1.40	G2 1/2"	40.5	SS
SZF65/75	81	B0812074	1.10	G3"	39	SS
SZF75/50	89	B0812076	1.09	G2"	41	SS
SZF75/65	89	B0812078	1.06	G2 1/2"	42	SS
SZF75	89	B0802010	1.26	G3"	41.5	SS
SZF100	115	B0812081	2.64	G4"	48	SS
SZF110	133	B0802011	3.25	G4"	48	SS
SZF110/115	133	B0812084	3.25	G4 1/2"	48	SS

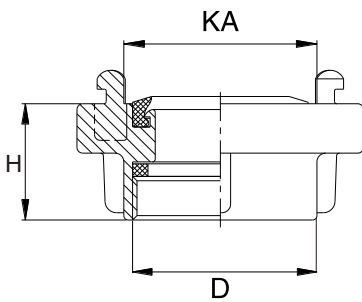


Storz couplings

Standard
Materials
Seal

Storz female thread

EN/DIN
Brass
NBR black or white

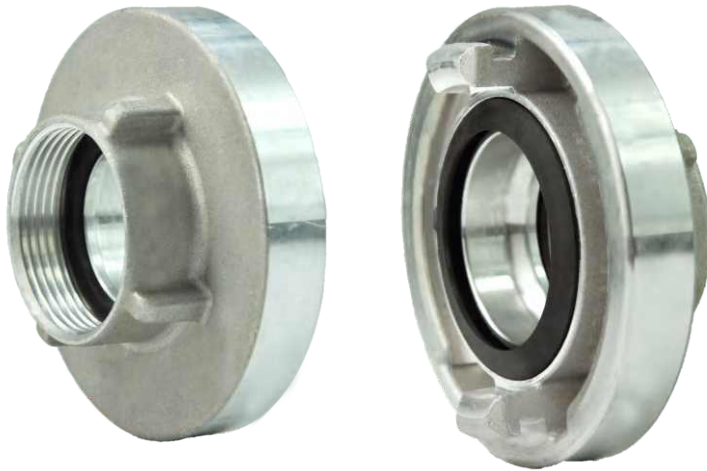
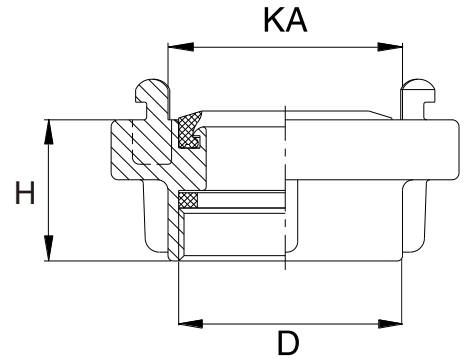


Name	KA/mm	Code	Weight	D	H	Material
SZF25/13	31	B0812041	0.23	G1/2"	30	BR
SZF25/20	31	B0812043	0.23	G3/4"	30	BR
SZF25	31	B0812044	0.23	G1"	30	BR
SZF32/25	44	B0812046	0.25	G1"	31	BR
SZF32	44	B0812048	0.39	G1 1/4"	31	BR
SZF38/25	51	B0812050	0.47	G1"	33	BR
SZF38/32	51	B0812052	0.54	G1 1/4"	33	BR
SZF38	51	B0812054	0.47	G1 1/2"	33	BR
SZF38/50	51	B0812056	0.57	G2"	37.5	BR
SZF45/50	59	B0812058	0.76	G2"	35	BR
SZF50/25	66	B0812060	0.81	G1"	35.5	BR
SZF50/32	66	B0812062	0.74	G1 1/4"	35.5	BR
SZF50/38	66	B0812064	0.66	G1 1/2"	35.5	BR
SZF50	66	B0812035	0.80	G2"	40	BR
SZF50/65	66	B0812066	0.88	G2 1/2"	40	BR
SZF65/25	81	B0812068	1.67	G1"	36	BR
SZF65/38	81	B0812070	1.42	G1 1/2"	36	BR
SZF65/50	81	B0812072	1.51	G2"	40.5	BR
SZF65	81	B0812073	1.51	G2 1/2"	40.5	BR
SZF65/75	81	B0812075	1.20	G3"	39	BR
SZF75/50	89	B0812077	1.22	G2"	41	BR
SZF75/65	89	B0812079	1.24	G2 1/2"	42	BR
SZF75	89	B0812080	1.50	G3"	41.5	BR
SZF100	115	B0812082	2.65	G4"	48	BR
SZF110	133	B0812083	3.77	G4"	48	BR
SZF110/115	133	B0812085	3.77	G4 1/2"	48	BR



Storz couplings	Storz female thread
Standard	EN/DIN
Materials	Aluminum
Seal	NBR black or white

Name	KA/mm	Code	Weight	D	H	Material
SZM25	31	B0812190	0.24	G1"	30	AL-casting
SZM50/25	66	B0812094	0.28	G1"	35.5	AL-casting
SZM50/32	66	B0812116	0.30	G1 1/4"	35.5	AL-casting
SZM50/38	66	B0812113	0.28	G1 1/2"	35.5	AL-casting
SZM50	66	B0812088	0.28	G2"	40	AL-casting
SZM50/65	66	B0812095	0.28	G2 1/2"	40	AL-casting
SZM75/50	89	B0812115	0.43	G2"	41	AL-casting
SZM75/65	89	B0812112	0.42	G2 1/2"	42	AL-casting
SZM75	89	B0812039	0.42	G3"	41.5	AL-casting
SZM110	133	B0802097	1.09	G4"	48	AL-casting
SZM110/115	133	B0812096	1.09	G4 1/2"	48	AL-casting

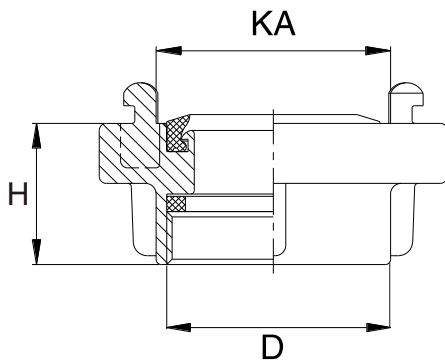


Storz couplings

Storz female thread

Standard
Materials
Seal

EN/DIN
Aluminum
NBR black or white



Name	KA/mm	Code	Weight	D	H	Material
SZF25/13	31	B0812022	0.08	G1/2"	30	AL-forging
SZF25/20	31	B0812021	0.08	G3/4"	30	AL-forging
SZF25/50	31	B0812128	0.08	G2"	30	AL-forging
SZF25	31	B0812001	0.08	G1"	30	AL-forging
SZF32/25	44	B0812024	0.08	G1"	31	AL-forging
SZF32	44	B0812006	0.14	G1 1/4"	31	AL-forging
SZF38/25	51	B0812014	0.15	G1"	33	AL-forging
SZF38/32	51	B0812013	0.17	G1 1/4"	33	AL-forging
SZF38	51	B0812002	0.15	G1 1/2"	33	AL-forging
SZF38/50	51	B0812012	0.18	G2"	37.5	AL-forging
SZF45/50	59	B0812026	0.24	G2"	35	AL-forging
SZF50/25	66	B0812010	0.28	G1"	35.5	AL-forging
SZF50/32	66	B0812008	0.30	G1 1/4"	35.5	AL-forging
SZF50/38	66	B0812007	0.28	G1 1/2"	35.5	AL-forging
SZF50	66	B0812155	0.28	G2"	40	AL-forging
SZF50/65	66	B0812009	0.28	G2 1/2"	40	AL-forging
SZF65/25	81	B0812018	0.53	G1"	36	AL-forging
SZF65/38	81	B0812017	0.45	G1 1/2"	36	AL-forging
SZF65/50	81	B0812016	0.38	G2"	40.5	AL-forging
SZF65	81	B0812004	0.38	G2 1/2"	40.5	AL-forging
SZF65/75	81	B0812015	0.41	G3"	39	AL-forging
SZF75/50	89	B0812023	0.43	G2"	41	AL-forging
SZF75/65	89	B0812027	0.42	G2 1/2"	42	AL-forging
SZF75	89	B0812005	0.42	G3"	41.5	AL-forging
SZF100	115	B0812025	0.85	G4"	48	AL-forging
SZF110	133	B0802012	1.09	G4"	48	AL-forging
SZF110/115	133	B0812011	1.09	G4 1/2"	48	AL-forging

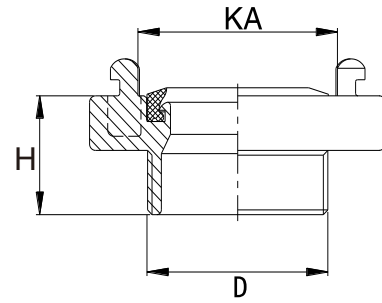


Storz couplings
Storz male thread

Standard
Materials
Seal

EN/DIN
Stainless 1.4581
Viton

Name	KA/mm	Code	Weight	D	H	Material
SZM25/13	31	B0811025	0.21	G1/2"	33	SS
SZM25/20	31	B0811027	0.21	G3/4"	33	SS
SZM25	31	B0812105	0.21	G1"	33	SS
SZM32/25	44	B0811030	0.34	G1"	34	SS
SZM32	44	B0811032	0.37	G1 1/4"	34	SS
SZM40	51	B0811034	0.45	G1 1/2"	32.5	SS
SZM50/25	66	B0811036	0.75	G1"	30	SS
SZM50/32	66	B0811038	0.72	G1 1/4"	30	SS
SZM50/38	66	B0811040	0.72	G1 1/2"	34	SS
SZM50	66	B0801006	0.65	G2"	36	SS
SZM65/38	81	B0811043	0.99	G1 1/2"	35.5	SS
SZM65/50	81	B0811045	1.02	G2"	37.5	SS
SZM65	81	B0801008	1.07	G2 1/2"	37.5	SS
SZM65/75	81	B0811048	1.08	G3"	37.5	SS
SZM80/65	89	B0811050	1.08	G2 1/2"	38	SS
SZM80	89	B0801010	1.32	G3"	38	SS
SZM110	133	B0801012	2.92	G4"	47	SS

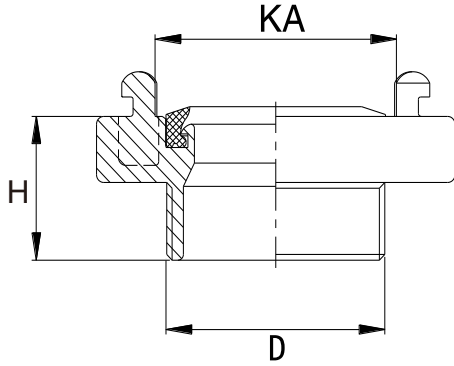


Storz couplings

Standard
Materials
Seal

Storz male thread

EN/DIN
Brass
NBR black or white



Name	KA/mm	Code	Weight	D	H	Material
SZM25/13	31	B0811026	0.23	G1/2"	33	BR
SZM25/20	31	B0811028	0.23	G3/4"	33	BR
SZM25	31	B0811029	0.22	G1"	33	BR
SZM32/25	44	B0811031	0.35	G1"	34	BR
SZM32	44	B0811033	0.40	G1 1/4"	34	BR
SZM40	51	B0811035	0.40	G1 1/2"	32.5	BR
SZM50/25	66	B0811037	0.78	G1"	30	BR
SZM50/32	66	B0811039	0.73	G1 1/4"	30	BR
SZM50/38	66	B0811041	0.74	G1 1/2"	34	BR
SZM50	66	B0811042	0.61	G2"	36	BR
SZM65/38	81	B0811044	1.05	G1 1/2"	35.5	BR
SZM65/50	81	B0811046	1.10	G2"	37.5	BR
SZM65	81	B0811047	1.15	G2 1/2"	37.5	BR
SZM65/75	81	B0811049	1.16	G3"	37.5	BR
SZM80/65	89	B0811051	1.16	G2 1/2"	38	BR
SZM80	89	B0811052	1.34	G3"	38	BR
SZM110	133	B0811053	3.15	G4"	47	BR

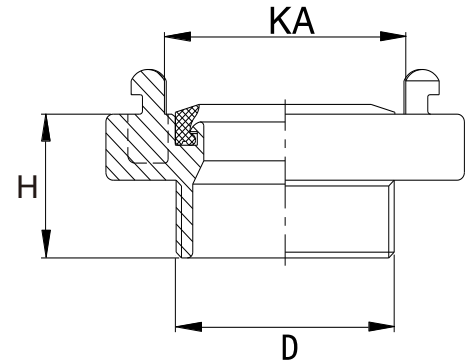


Storz couplings
Storz male thread

Standard
Materials
Seal

EN/DIN
Aluminum
NBR black or white

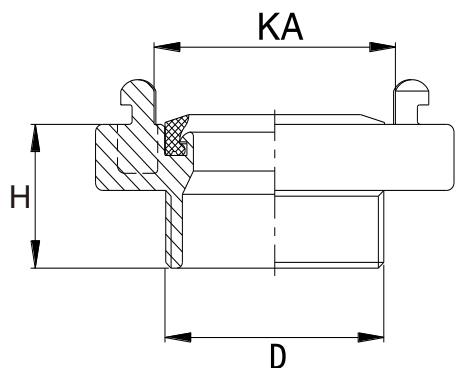
Name	KA/mm	Code	Weight	D	H	Material
SZM25/13	31	B0811019	0.07	G1/2"	33	AL-forging
SZM25/20	31	B0811020	0.07	G3/4"	33	AL-forging
SZM25	31	B0811006	0.07	G1"	33	AL-forging
SZM32/25	44	B0811012	0.12	G1"	34	AL-forging
SZM32	44	B0811011	0.14	G1 1/4"	34	AL-forging
SZM40	51	B0811007	0.14	G1 1/2"	32.5	AL-forging
SZM50/25	66	B0811022	0.25	G1"	30	AL-forging
SZM50/32	66	B0811015	0.25	G1 1/4"	30	AL-forging
SZM50/38	66	B0811014	0.25	G1 1/2"	34	AL-forging
SZM50	66	B0801005	0.21	G2"	36	AL-forging
SZM65/38	81	B0811018	0.36	G1 1/2"	35.5	AL-forging
SZM65/50	81	B0811017	0.36	G2"	37.5	AL-forging
SZM65	81	B0811009	0.38	G2 1/2"	37.5	AL-forging
SZM65/75	81	B0811016	0.33	G3"	37.5	AL-forging
SZM80/65	89	B0811021	0.36	G2 1/2"	38	AL-forging
SZM80	89	B0801009	0.39	G3"	38	AL-forging
SZM110	133	B0801011	1.01	G4"	47	AL-forging



Couplings / Valves / Hoses / Special Equipment

Storz couplings **Storz male thread**

Standard EN/DIN
 Materials Aluminum
 Seal NBR black or white



Name	KA/mm	Code	Weight	D	H	Material
SZM25	31	B0811096	0.07	G1"	33	AL-casting
SZM50/25	66	B0811081	0.25	G1"	30	AL-casting
SZM50/32	66	B0811083	0.25	G1 1/4"	30	AL-casting
SZM50/38	66	B0811082	0.25	G1 1/2"	34	AL-casting
SZM50	66	B0801088	0.21	G2"	36	AL-casting
SZM65	66	B0811084		G2 1/2"	36	AL-casting
SZM80/50	89	B0811085		G2"	38	AL-casting
SZM80/65	89	B0811097	0.36	G2 1/2"	38	AL-casting
SZM80	89	B0811075	0.39	G3"	38	AL-casting
SZM110	133	B0811087	1.01	G4"	47	AL-casting



Storz couplings **Adaptor for fixing fire fighting equipment**

Standard EN/DIN
 Materials Aluminum
 Seal NBR black or white



Name	KA/mm	Code	Material
25	31	N25	AL-casting
52	66	N52	AL-casting
75	89	N75	AL-casting
110	133	N110	AL-casting

Storz couplings **Storz swivel female thread**

Standard EN/DIN
 Materials Stainless 1.4581/ Aluminum
 Seal Viton/ NBR black or white

Name	D	Code	Material
KA133-G4	G4"	B0812129	SS
KA89-G2.5	G2.5"	B0812130	SS
KA66-G2	G2"	B0812207	AL-casting
KA89-G3	G3"	B0812208	AL-casting
KA89-G21/2	G21/2"	B0812213	AL-casting
KA133-G4	G4"	B0812214	AL-casting
KA66-C2	G2"	B0812256	AL-casting
KA89-G3	G3"	B0812257	AL-forging
KA133-G4	G4"	B0812258	AL-forging



Storz couplings **Storz swivel male thread**

Standard EN/DIN
 Materials Stainless 1.4581/ Aluminum
 Seal NBR black or white

Name	D	Code	Material
KA89-2	G2"	B0811141	SS
KA133-3	G3"	B0811142	SS
KA66-G2	G2"	B0811153	AL-casting
KA89-G21/2	G21/2"	B0811154	AL-casting
KA89-G3	G3"	B0811155	AL-casting
KA133-G4	G4"	B0811156	AL-casting



Storz couplings **Storz female with lock**

Standard EN/DIN
 Materials Stainless 1.4581/ Aluminum
 Seal NBR black or white

KA/mm	Code	D	Material
66	B0812132	G2"	AL
89	B0812133	G3"	AL
115	B0812131	G4"	AL
133	B0812118	G4"	AL

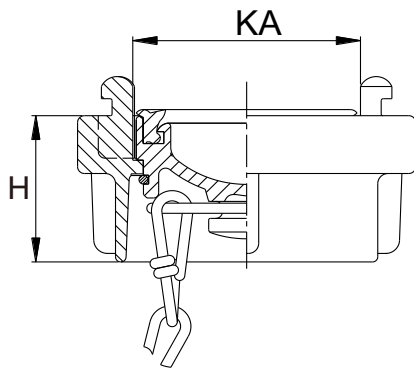


Storz couplings

Standard
Materials
Seal

Storz blind cap with chain

EN/DIN
Brass / Stainless 1.4581/ Aluminum
NBR black or white/ Viton



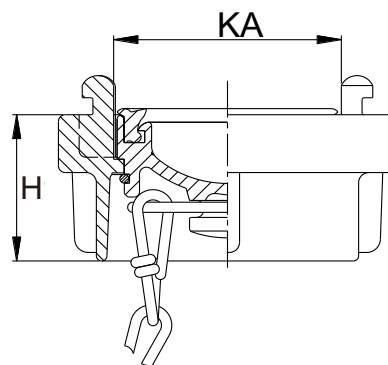
Name	KA/mm	Code	Weight	H	Material
SZC25	31	B0804002	0.25	28	SS
SZC32	44	B0804031	0.38	27.5	SS
SZC38	51	B0804033	0.50	34	SS
SZC45	59	B0804034	0.87	32	SS
SZC50	66	B0804006	0.88	43	SS
SZC65	81	B0804008	1.27	35	SS
SZC80	89	B0804010	1.34	45	SS
SZC90	105	B0804038	2.33	43	SS
SZC100	115	B0804040	3.17	48	SS
SZC110	133	B0804012	3.65	48	SS
SZC25	31	B0804030	0.26	28	BR
SZC32	44	B0804032	0.37	27.5	BR
SZC38	51	B0804028	0.50	34	BR
SZC45	59	B0804035	0.94	32	BR
SZC50	66	B0804027	1.07	43	BR
SZC65	81	B0804036	1.27	35	BR
SZC80	89	B0804037	1.46	45	BR
SZC90	105	B0804039	2.52	43	BR
SZC100	115	B0804041	3.43	48	BR
SZC110	133	B0804042	3.73	48	BR
SZC25	31	B0804096	0.15	29.2	AL-casting
SZC50	66	B0804013	0.38	43	AL-casting
SZC80	89	B0804014	0.56	45	AL-casting
SZC110	133	B0804015	1.34	48	AL-casting



Storz couplings **Storz blind cap with chain**

Standard EN/DIN
 Materials Aluminum
 Seal NBR black or white

Name	KA/mm	Code	Weight	H	Material
SZC25	31	B0804074	0.09	28	AL-forging
SZC38	51	B0804003	0.17	34	AL-forging
SZC45	59	B0804025	0.30	32	AL-forging
SZC50	66	B0804075	0.38	43	AL-forging
SZC65	81	B0804078	0.46	35	AL-forging
SZC80	89	B0804076	0.56	45	AL-forging
SZC100	115	B0804079	0.56	48	AL-forging
SZC110	133	B0804077	1.34	48	AL-forging
SZC125	148	B0804051	51	51	AL-forging
SZC150	160	B0804043	55	55	AL-forging



Storz couplings **ABS Storz cap**

Standard EN/DIN
 Materials ABS
 Seal NBR black or white

Name	KA/mm	Code	Material
KA66	66	B0804103	ABS
KA89	89	B0804104	ABS



Storz couplings **ABS Storz female adaptor**

Standard EN/DIN
 Materials ABS
 Seal NBR black or white

Name	KA/mm	Code	Material
KA66	66	B0812318	ABS
KA89	89	B0812319	ABS



Storz couplings

Standard
Materials
Seal

Suction hose couplings

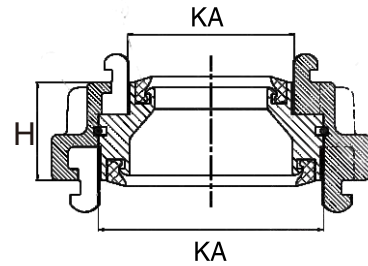
EN/DIN
Aluminum
NBR black or white

Name	KA/mm	Code	D	Material
KA115-100	115	B0803179	100	AL-casting
KA133-110	133	B0803188	110	AL-casting
KA148-125	148	B0803180	125	AL-casting
KA160-150	160	B0803181	150	AL-casting



Storz couplings	Storz reducer
Standard	EN/DIN
Materials	Brass / Stainless 1.4581/ Aluminum
Seal	NBR black or white/ Viton

Name	KA/mm	Code	KA/mm	H	Material
SZW52/25	66/31	B0815004	52/25	33	SS
SZW75/52	89/66	B0815005	75/52	39	SS
SZW110/75	133/89	B0815006	110/75	48	SS
SZW65/52	81/66	B0815056	52/25	37	BR
SZW52/25	66/31	B0815001	52/25	33	AL-forging
SZW75/52	89/66	B0815002	75/52	39	AL-forging
SZW110/75	133/89	B0815003	110/75	48	AL-forging
SZW125/110	148/133	B0815053	125/110		AL-forging
SZW150/110	160/133	B0815054	150/110		AL-forging
SZW52/25	66/31	B0815010	52/25	33	AL-casting
SZW75/52	89/66	B0815012	75/52	39	AL-casting
SZW110/75	133/89	B0815011	110/75	48	AL-casting



Storz couplings	Storz reducer with locking
Standard	EN/DIN
Materials	Aluminum
Seal	NBR black or white

Name	KA/mm	Code	KA/mm	Material
KA133-KA115	115	B0815017	100	AL-forging
KA148-KA115	133	B0815013	110	AL-forging
KA148-KA133	148	B0815016	125	AL-forging
KA160-KA148	160	B0815014	150	AL-forging





Storz couplings	Mole couplings
Standard	EN/DIN
Materials	Aluminum
Seal	NBR black or white

Name	Size	Code	Material
DN25	1"	B0808014	AL-casting
DN50	2"	B0808010	AL-casting



Storz couplings	Reducing coupling aslope (45°)
Standard	EN/DIN
Materials	Aluminum
Seal	NBR black or white

Name	Size	Code	Material
Z1101	52-C	B0808016	AL-casting

Flange x storz



storz x clamps EN14420-3



storz x gardon couplings



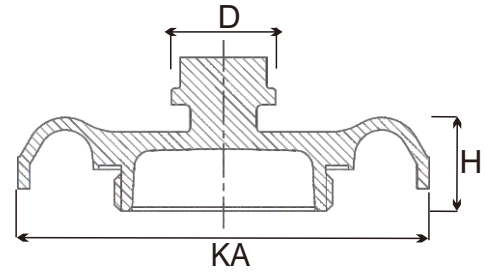
STORZ x BS336



Storz couplings **Storz blind RD Cap**

Standard EN/DIN
 Materials Aluminum
 Seal NBR black or white

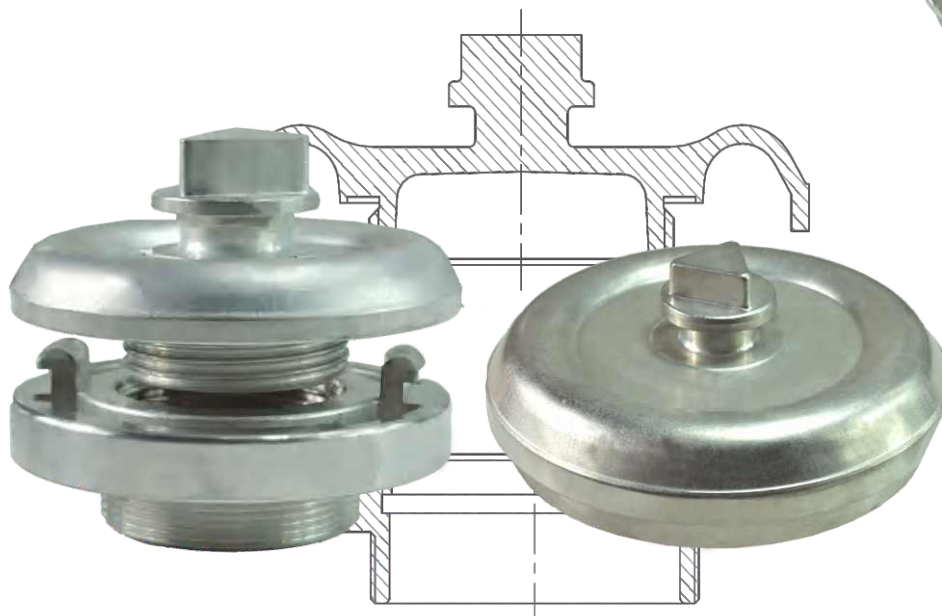
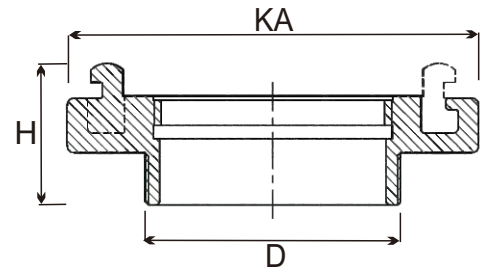
Name	KA/mm	Code	D	H	Material
RD50		B0804057			AL-forging
RD65	126	B0804060	47	66	AL-casting
RD105	198	B0804053	49	74	AL-casting



Storz couplings **Storz blind RD Male**

Standard EN/DIN
 Materials Aluminum
 Seal NBR black or white

Name	KA/mm	Code	D	H	Material
RD60		B0811173			AL-forging
RD65	126	B0811134	1/6-G21/2"	66	AL-casting
RD105	198	B0811160	1/4-G4"	74	AL-casting



Storz couplings

Storz long male thread

Standard
Materials
Seal

EN/DIN
Brass / Stainless 1.4581/ Aluminum
NBR black or white/ Viton



Name	KA/mm	Code	D	H	Material
SLM25	31	B0811061	G1"	44	SS
SLM32	44	B0811062	G1 1/4"		SS
SLM38	51	B0811063	G1 1/2"	51	SS
SLM50	66	B0811064	G2"	60	SS
SLM65	81	B0811065	G2 1/2"	62.5	SS
SLM75	89	B0811066	G3"	63.5	SS
SLM110	133	B0811067	G4"		SS
SLM25	31	B0811068	G1"	44	BR
SLM32	44	B0811069	G1 1/4"		BR
SLM38	51	B0811070	G1 1/2"	51	BR
SLM50	66	B0811071	G2"	60	BR
SLM65	81	B0811072	G2 1/2"	62.5	BR
SLM75	89	B0811073	G3"	63.5	BR
SLM110	133	B0811074	G4"		BR
SLM25	31	B0811054	G1"	44	AL-forging
SLM32	44	B0811055	G1 1/4"		AL-forging
SLM38	51	B0811056	G1 1/2"	51	AL-forging
SLM50	66	B0811057	G2"	60	AL-forging
SLM65	81	B0811058	G2 1/2"	62.5	AL-forging
SLM75	89	B0811059	G3"	63.5	AL-forging
SLM110	133	B0811060	G4"		AL-forging



Storz couplings

Storz Safety Clamp

Standard
Materials

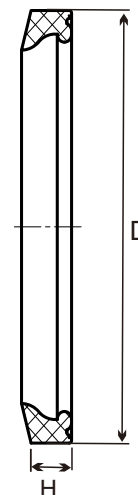
EN/DIN
Stainless 1.4581

Name	KA/mm	Code	Material
KA89	89	B0823001	SS
KA89-133	89-133	B0823007	SS
KA133	133	B0823012	SS

Storz couplings **Delivery gasket**

Standard EN/DIN

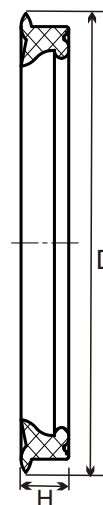
KA/mm	Code	D	H	Material
51	B0805012	46	10	NBR-Black
66	B0805001	60	10.5	NBR-Black
89	B0805009	82	10.5	NBR-Black
115	B0805042	108	10.5	NBR-Black
133	B0805011	124	12.5	NBR-Black
148	B0805039	138	13.1	NBR-Black
160	B0805038	152	13.1	NBR-Black
51	B0805136	46	10	VITON-Green
66	B0805137	60	10.5	VITON-Green
89	B0805139	82	10.5	VITON-Green
115	B0805141	108	10.5	VITON-Green
133	B0805142	124	12.5	VITON-Green
148	B0805143	138	13.1	VITON-Green
160	B0805144	152	13.1	VITON-Green



Storz couplings **Suction gasket**

Standard EN/DIN

KA/mm	Code	D	H	Material
31	B0805010	29.5	9	NBR-Black
51	B0805008	51	10	NBR-Black
66	B0805002	64	10.5	NBR-Black
81	B0805007	79	10.5	NBR-Black
89	B0805003	87	10.5	NBR-Black
133	B0805004	130	12.5	NBR-Black
148	B0805040	144	13.1	NBR-Black
160	B0805029	158	13.1	NBR-Black
31	B0805074	29.5	9	NBR-White
51	B0805076	51	10	NBR-White
66	B0805078	64	10.5	NBR-White
81	B0805079	79	10.5	NBR-White
89	B0805080	87	10.5	NBR-White
133	B0805083	130	12.5	NBR-White
148	B0805084	144	13.1	NBR-White
160	B0805085	158	13.1	NBR-White
31	B0805145	29.5	9	VITON-Green
51	B0805147	51	10	VITON-Green
66	B0805149	64	10.5	VITON-Green
81	B0805150	79	10.5	VITON-Green
89	B0805151	87	10.5	VITON-Green
133	B0805154	130	12.5	VITON-Green
148	B0805155	144	13.1	VITON-Green
160	B0805156	158	13.1	VITON-Green



Storz couplings

Standard

Thread gasket

EN/DIN



KA/mm	Code	D	H	Material
DN15	B0805309			PTFE-White
DN20	B0805313			PTFE-White
DN25	B0805306			PTFE-White
DN32	B0805307			PTFE-White
DN38	B0805308			PTFE-White
DN50	B0805310			PTFE-White
DN65	B0805311			PTFE-White
DN75	B0805312			PTFE-White

Storz couplings

Standard

Thread gasket

EN/DIN



KA/mm	Code	D	H	Material
DN15	B0805182			NBR-Black
DN20	B0805185			NBR-Black
DN25	B0805045			NBR-Black
DN32	B0805055			NBR-Black
DN38	B0805181			NBR-Black
DN50	B0805005			NBR-Black
DN65	B0805183			NBR-Black
DN75	B0805184			NBR-Black

